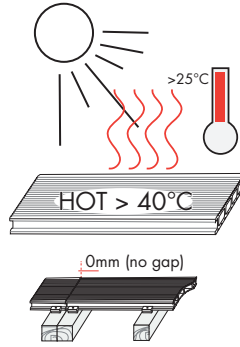
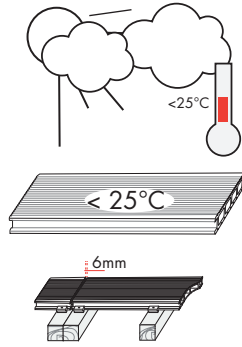
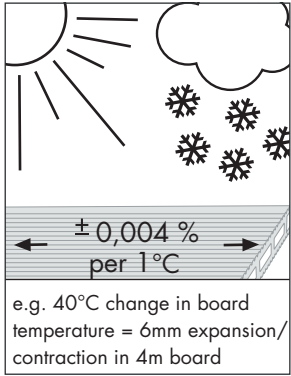


UPM ProFi Deck 150

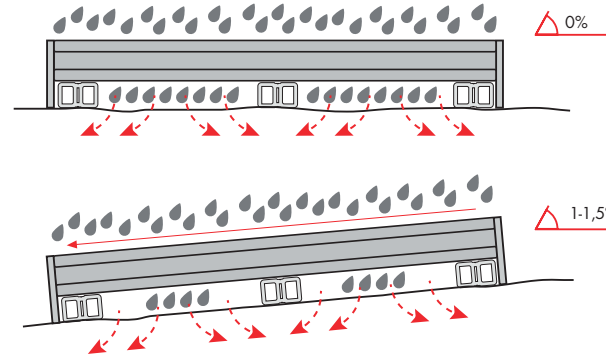
Installation Instructions/Verlegeanleitung/Instructions de montage/Installatie-instructies



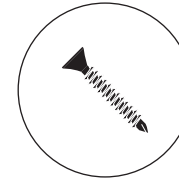
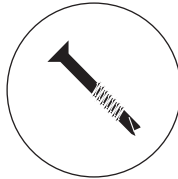
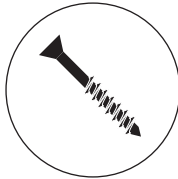
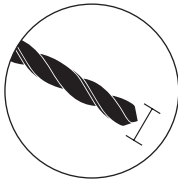
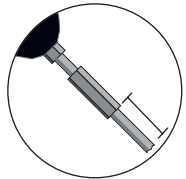
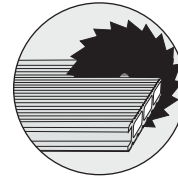
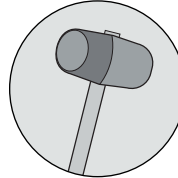
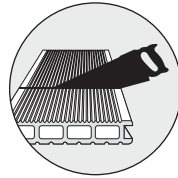
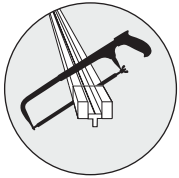
THERMAL EXPANSION



INCLINATION



TOOLS



min. 25 mm

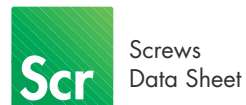
4 mm

4x40 mm

(for Alu Support Rails)

(for direct fixing on Alu Support Rails)

- LOW MAINTENANCE
- DURABLE & UV RESISTANT
- HARD WEARING
- 0% INCLINATION
- 40%
- SPLINTER FREE & WARM TO TOUCH
- HIGH FRICTION SURFACE
- QUICK TO INSTALL
- EASY TO WORK
- HELPING THE ENVIRONMENT
- >50%

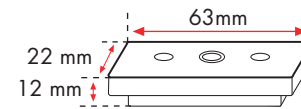
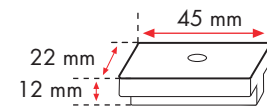
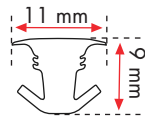
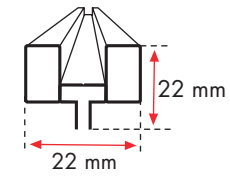
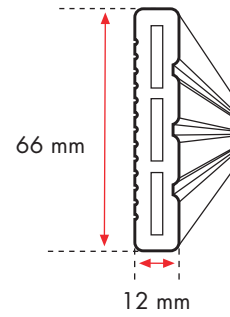
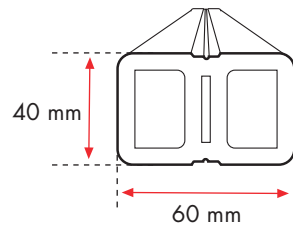
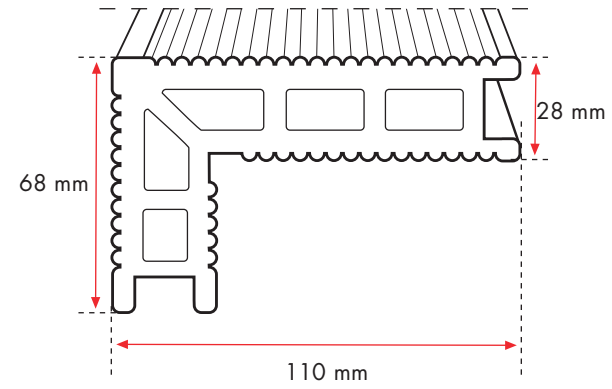
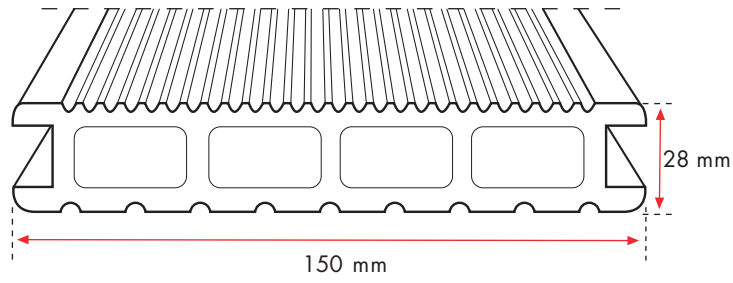


ADDITIONAL INFORMATION

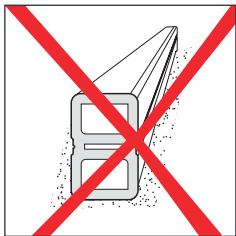
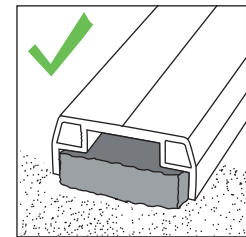
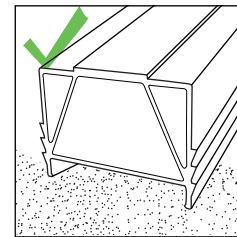
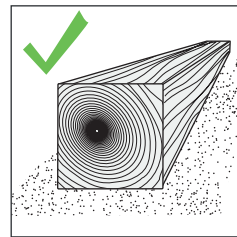
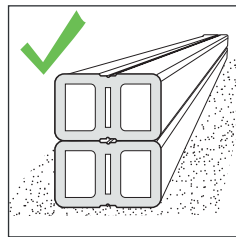
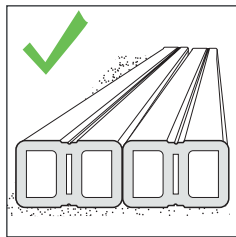
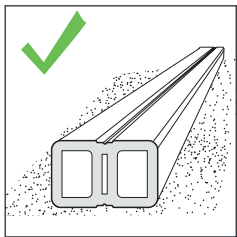
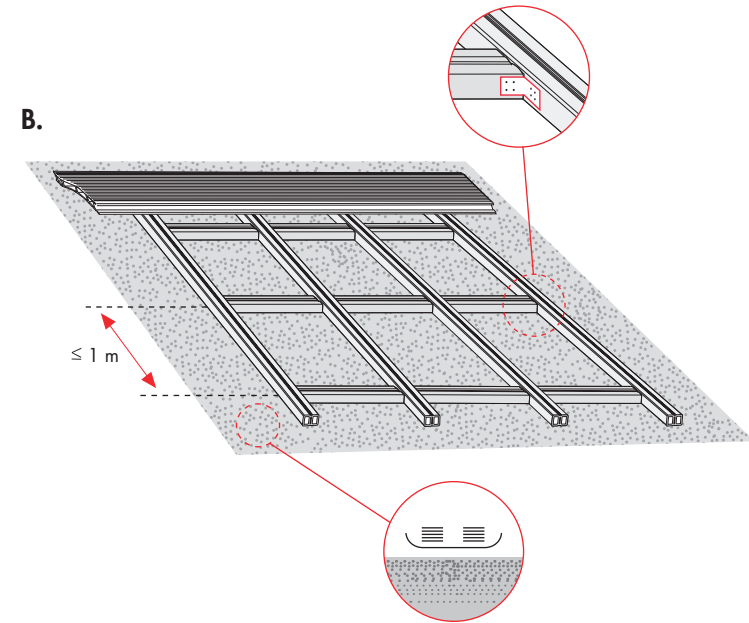
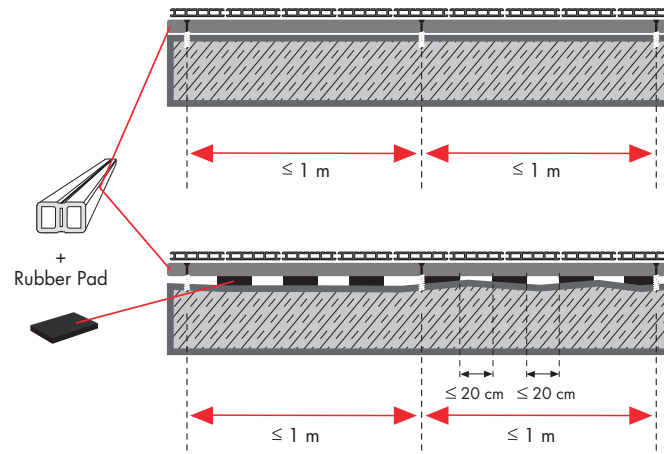
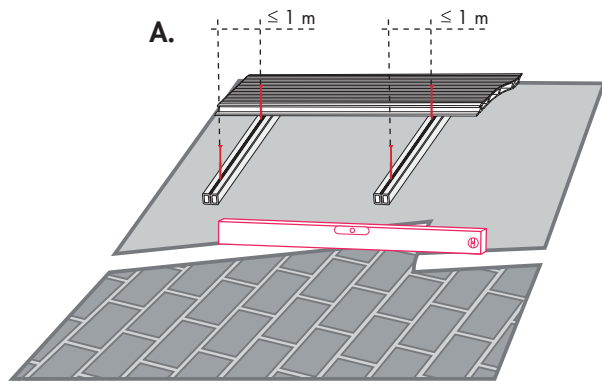
www.upmprofi.com
www.upmprofi.de
www.upmprofi.dk
www.upmprofi.fi
www.upmprofi.fr
www.upmprofi.es
www.upmprofi.it
www.upmprofi.nl
www.upmprofi.no
www.upmprofi.se



MEASURES



GROUND



Roof Terrace: 



A

Scr

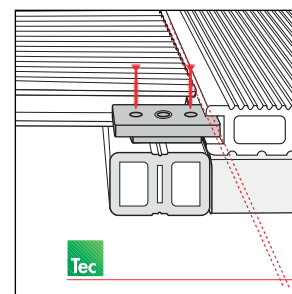
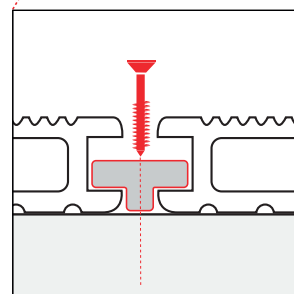
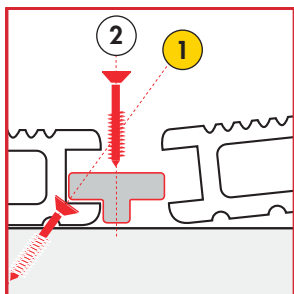
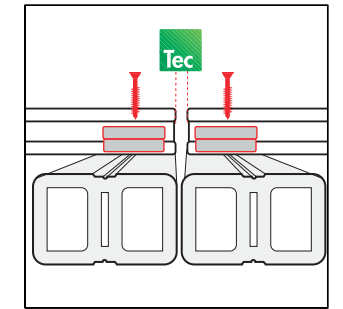
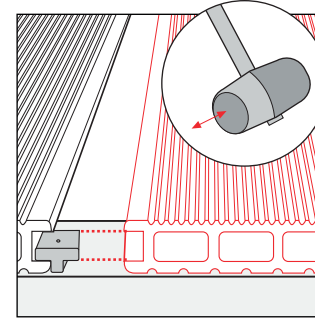
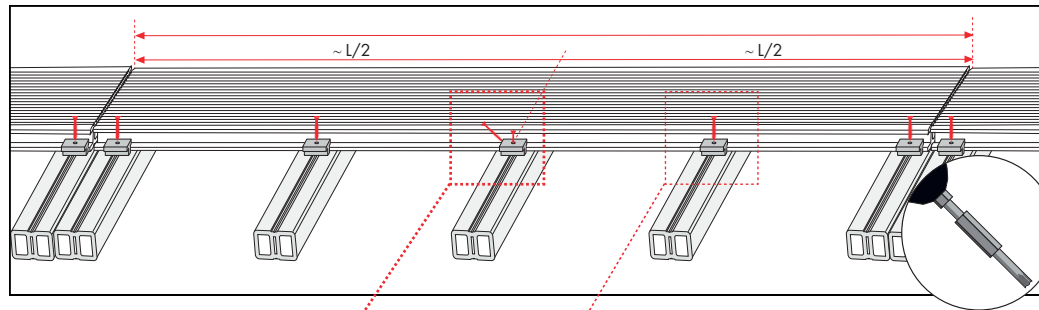
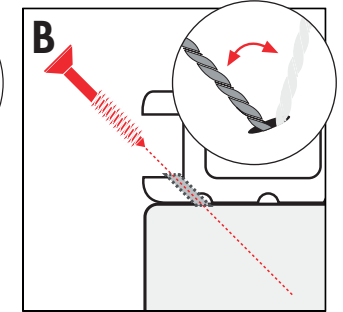
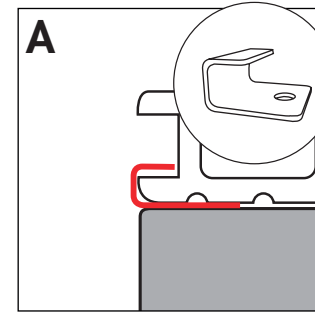
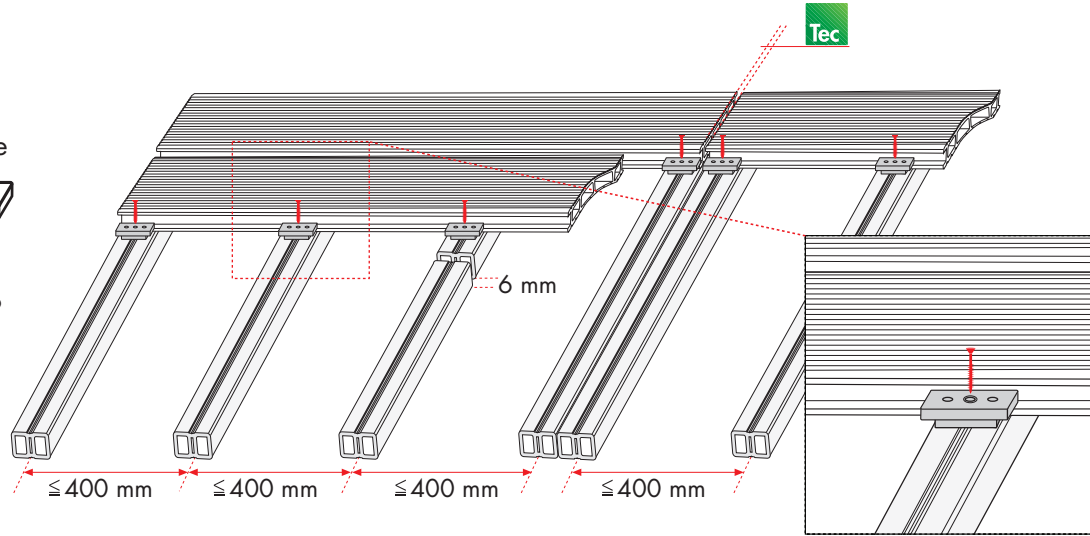
T-CLIP small



T-CLIP large



DESIGN START CLIP

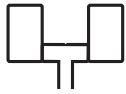


! 1x in the middle of each board

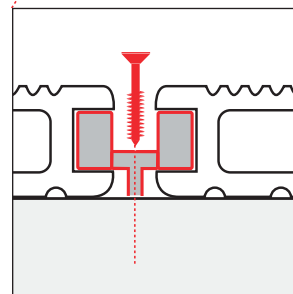
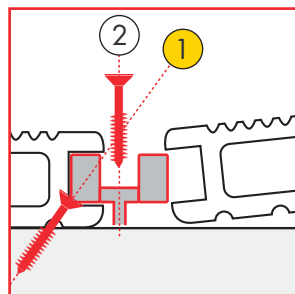
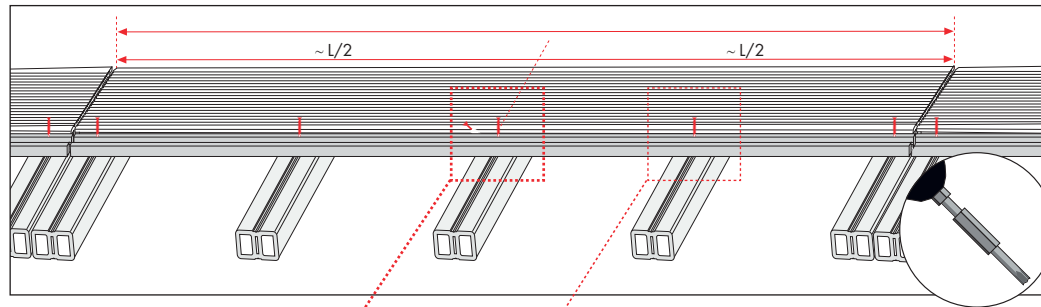
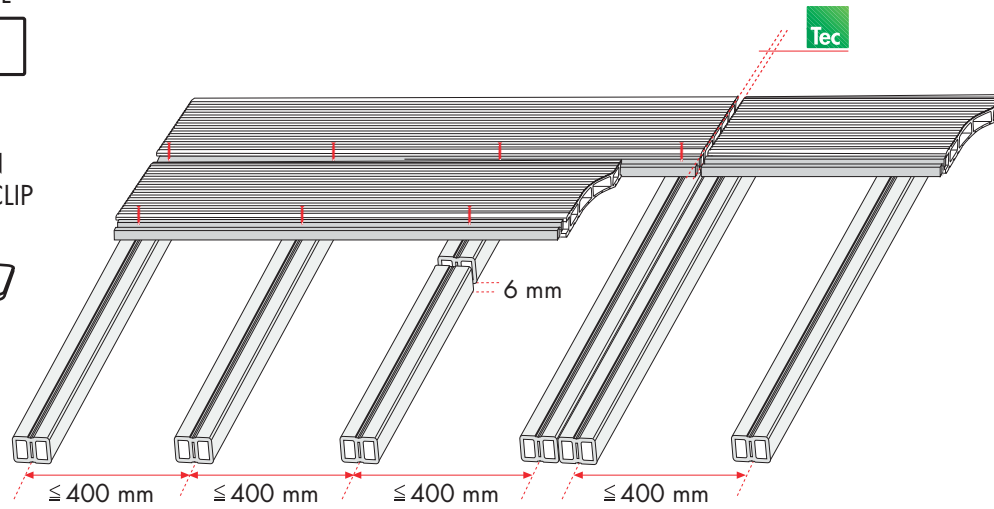


B
Scr

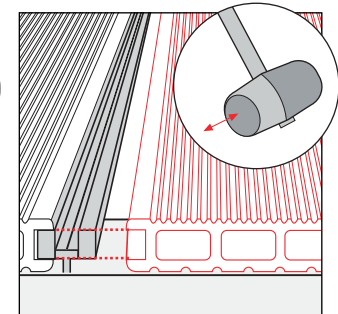
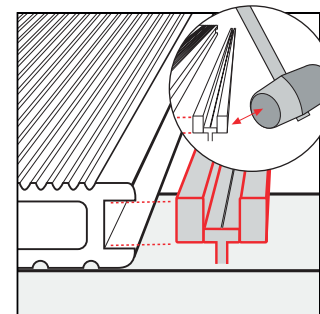
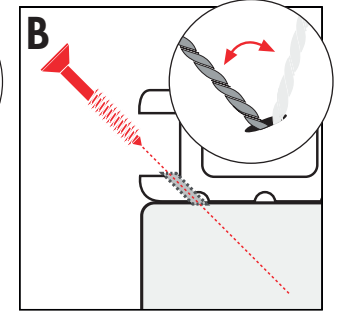
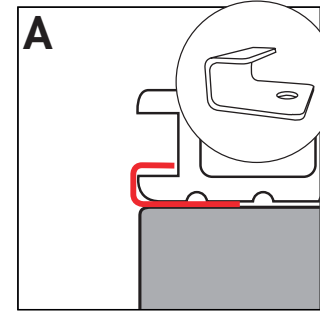
ALU RAIL



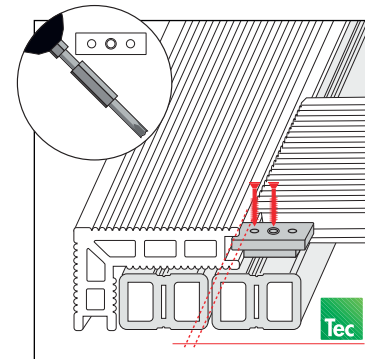
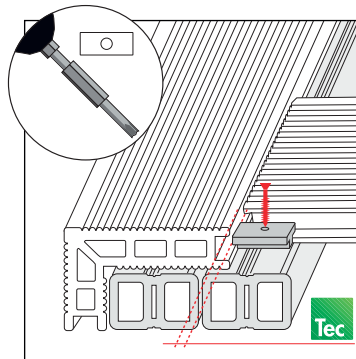
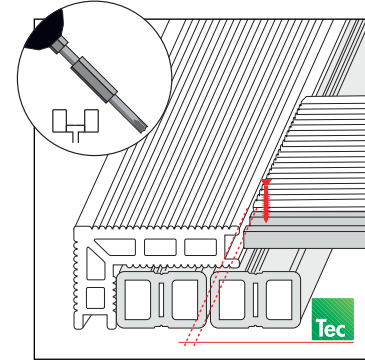
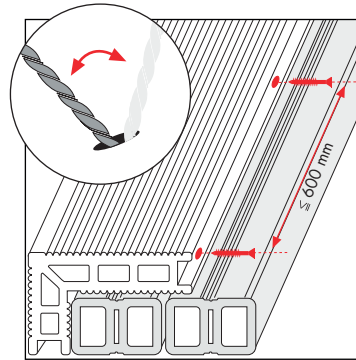
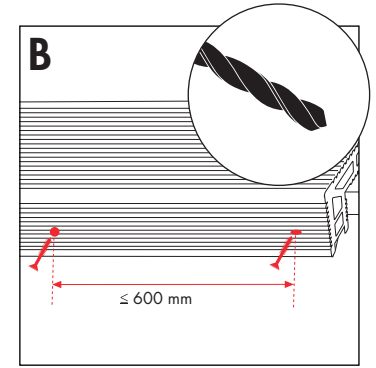
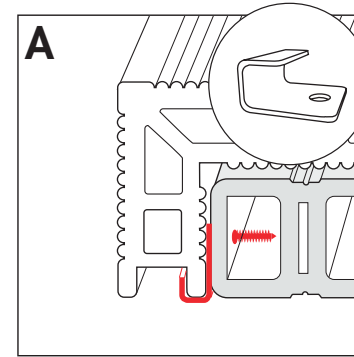
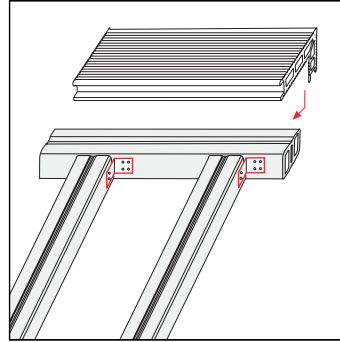
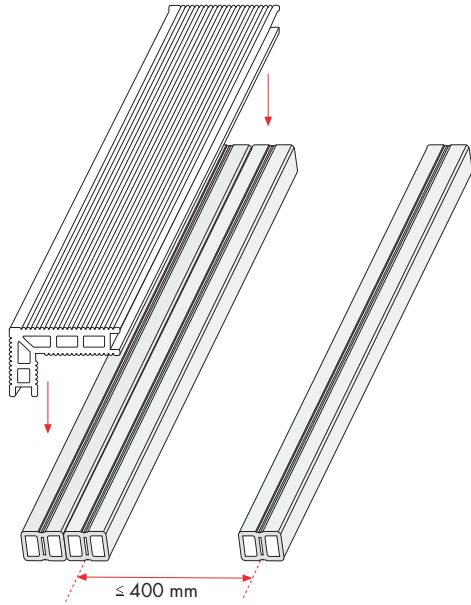
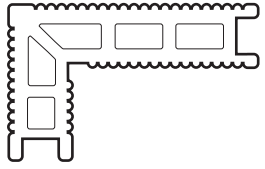
DESIGN
START CLIP



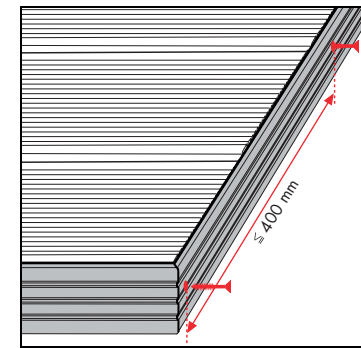
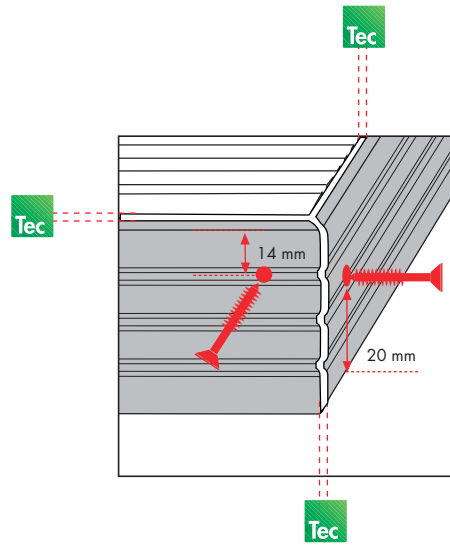
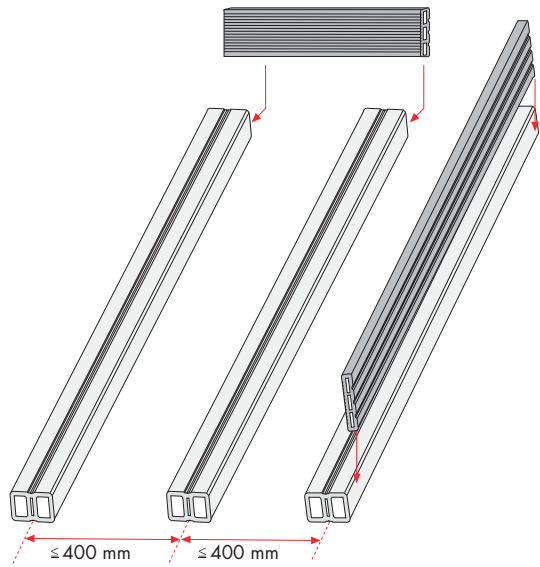
! ① 1x in the middle of each board



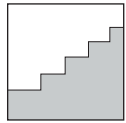
FINISHING
RAIL STEP



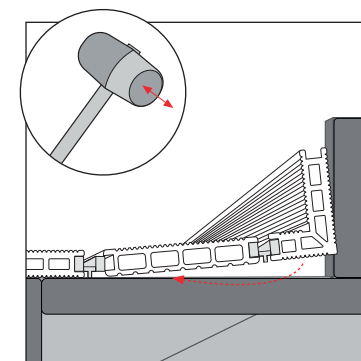
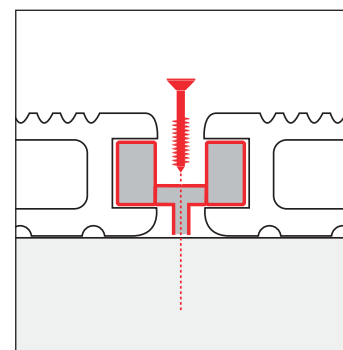
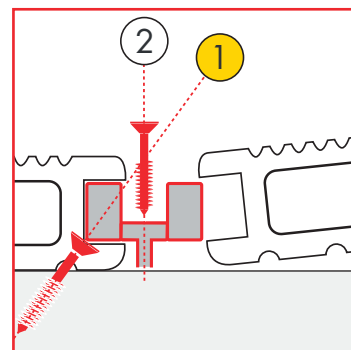
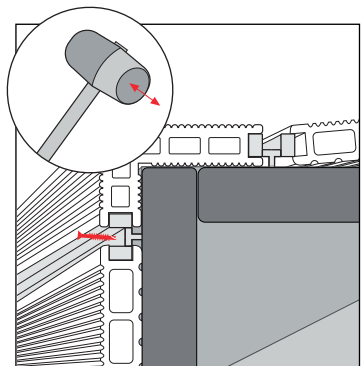
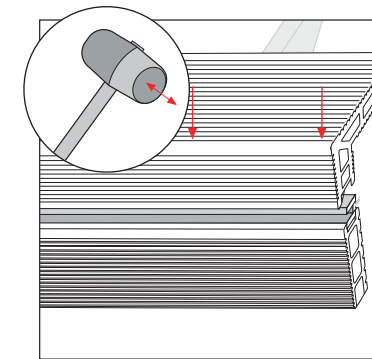
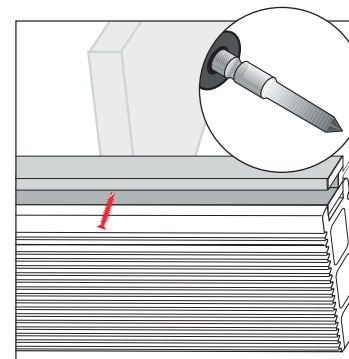
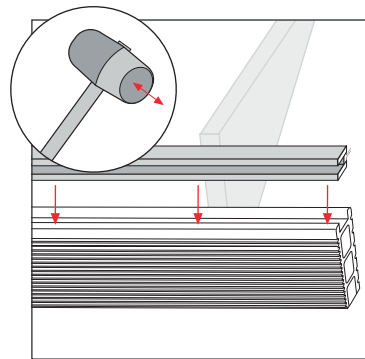
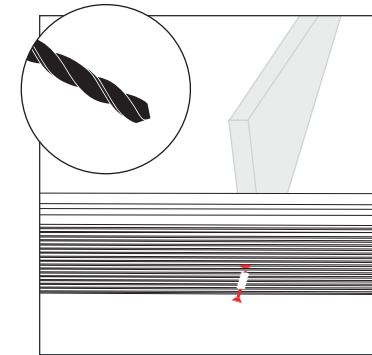
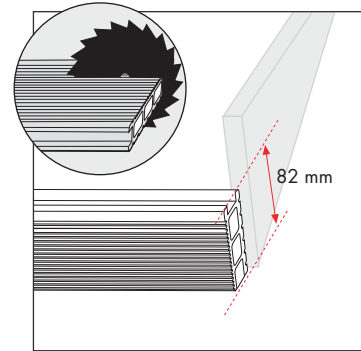
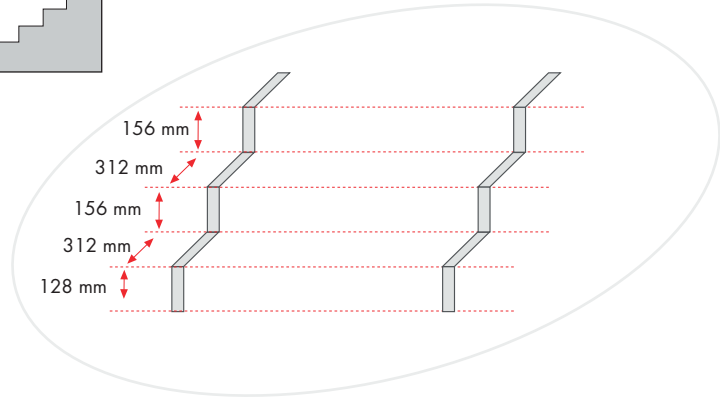
FINISHING
COVER STRIP



STAIRS



Scr



! 1 1x in the middle of each board



RUBBER STRIP

